



Installation instructions, accessories

Volvo Car Corporation Gothenburg, Sweden

Instruction No	Version	Part. No.
31373473	1.0	31373087

Parking assistance, rear



Installation instructions, accessories

Volvo Car Corporation Gothenburg, Sweden

Special tools

	999 5919 PULLER (SEAL-PINION,CAM-CRANKSHAFT)B200-6304 Tool number:999 5919 Tool description:PULLER (SEAL-PINION,CAM-CRANKSHAFT)B200-6304 Tool boards:46
	999 7234 Hole stamp Tool number:999 7234 Tool description:Hole stamp Tool boards:80
	951 2950 Glue gun (kit) Tool number:951 2950 Tool description:Glue gun (kit) Tool boards:08

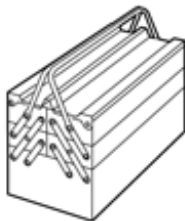
Materials

Designation	Part number
Isopropanol	1161721
Sand paper P1000	
Volvo Original Touch-up paint	
Varnish 2-component	31335447
Activator	8637076
Glue	9511027
Mixing pipe	1161730

Equipment

VIDA

IMG-242205

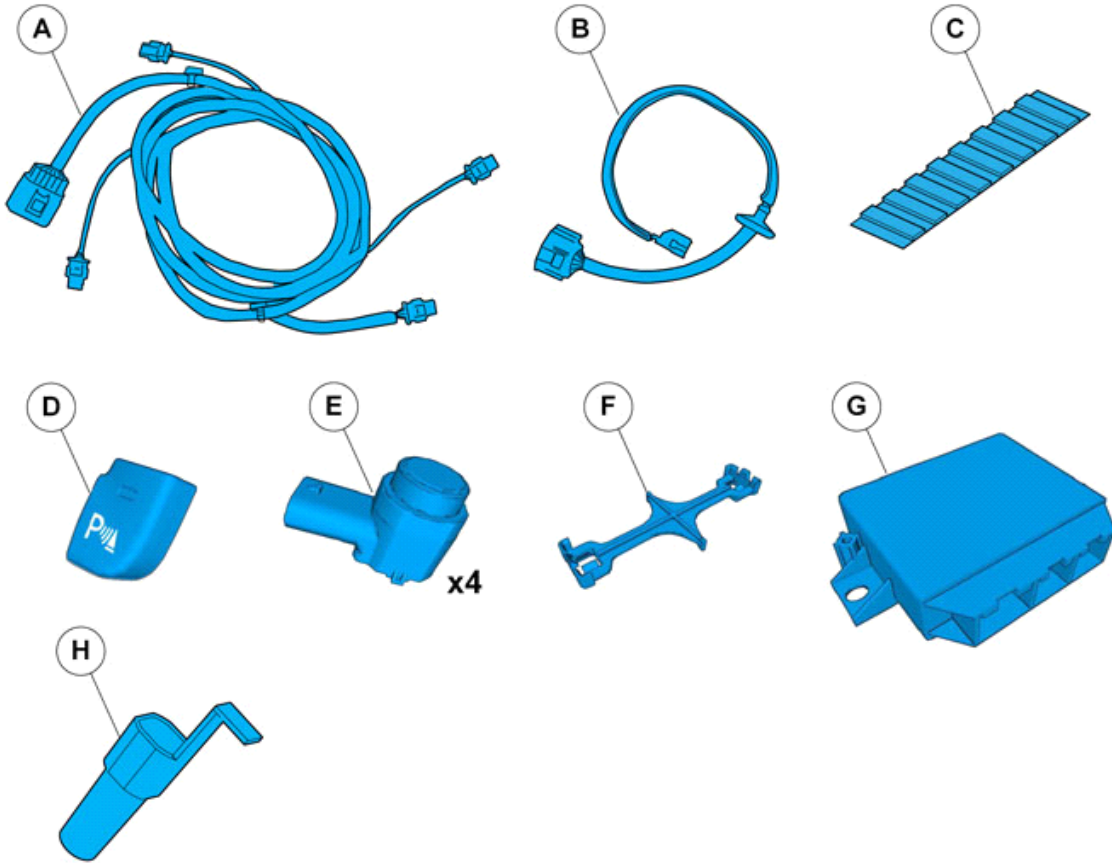


IMG-345497



Installation instructions, accessories

Volvo Car Corporation Gothenburg, Sweden

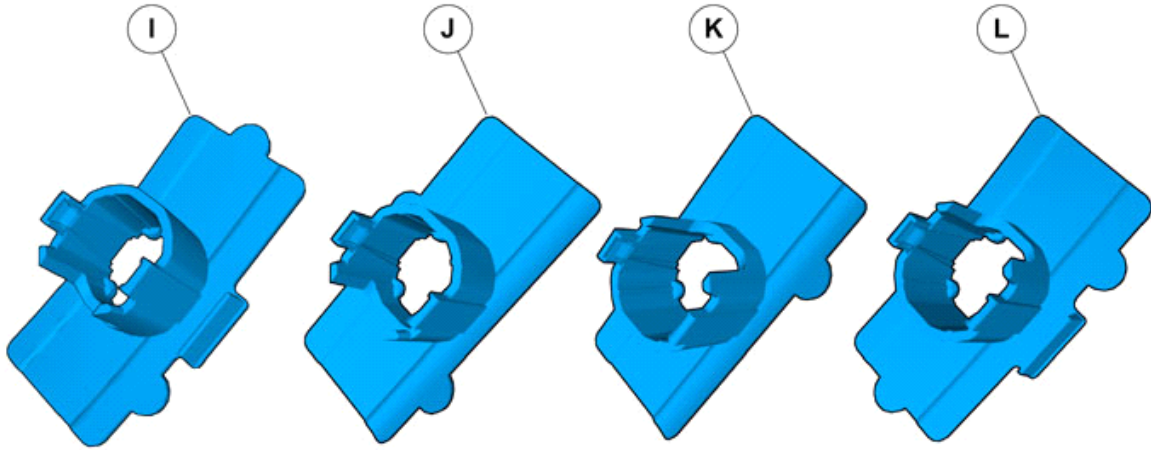


IMG-377192



Installation instructions, accessories

Volvo Car Corporation Gothenburg, Sweden



IMG-377249



Installation instructions, accessories

Volvo Car Corporation Gothenburg, Sweden

Information

1

Read through all of the instructions before starting installation.

Notifications and warning texts are for your safety and to minimise the risk of something breaking during installation.

Ensure that all tools stated in the instructions are available before starting installation.

Certain steps in the instructions are only presented in the form of images. Explanatory text is also given for more complicated steps.

In the event of any problems with the instructions or the accessory, contact your local Volvo dealer.

Further information

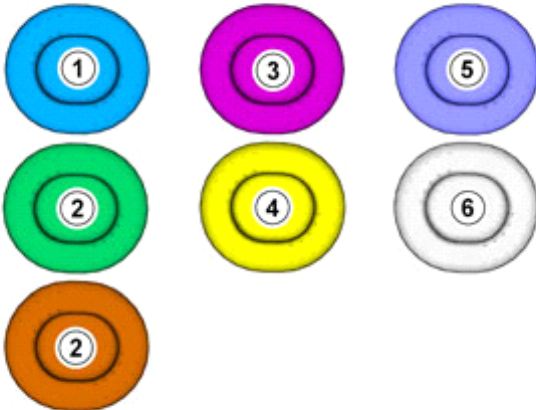
2

After installation, the car must not be washed for 48 hours

When installing, the car must retain a temperature of 20 degrees C.

Color symbols

3



IMG-363036

Note!

This colour chart displays (in colour print and electronic version) the importance of the different colours used in the images of the method steps.

1. Used for focused component, the component with which you will do something.
2. Used as extra colors when you need to show or differentiate additional parts.
3. Used for attachments that are to be removed/installed. May be screws, clips, connectors, etc.
4. Used when the component is not fully removed from the vehicle but only hung to the side.
5. Used for standard tools and special tools.
6. Used as background color for vehicle components.

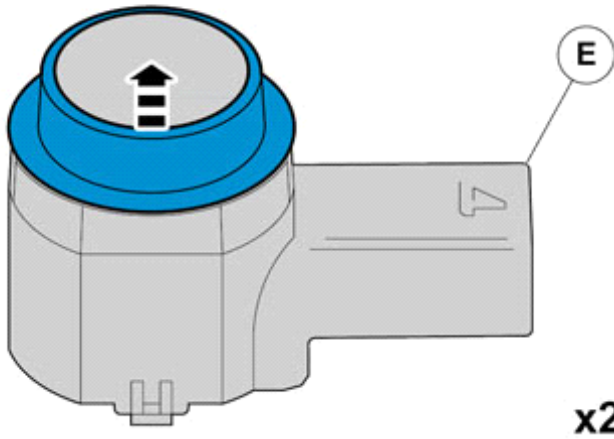
Paintwork



Installation instructions, accessories

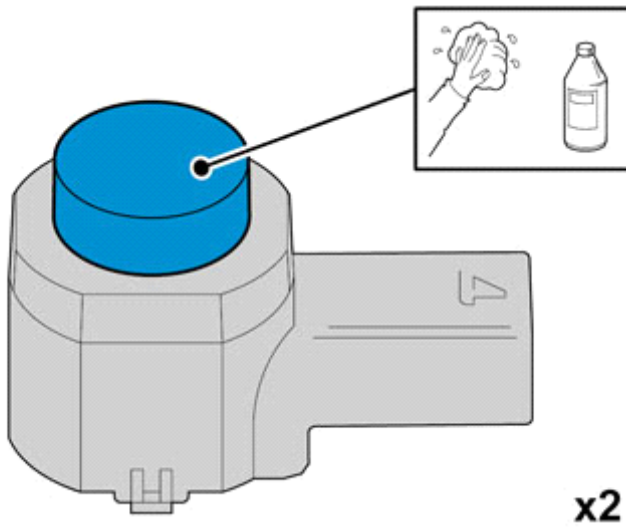
Volvo Car Corporation Gothenburg, Sweden

4



IMG-373951

5



IMG-344142

Clean the surface.

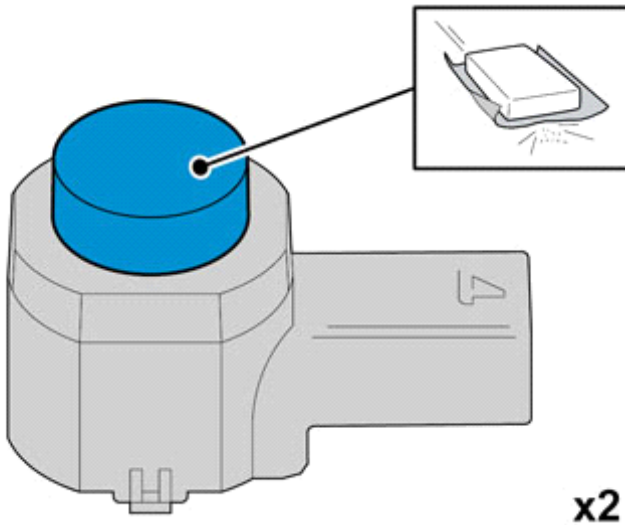
Use: 1161721, Isopropanol



Installation instructions, accessories

Volvo Car Corporation Gothenburg, Sweden

6

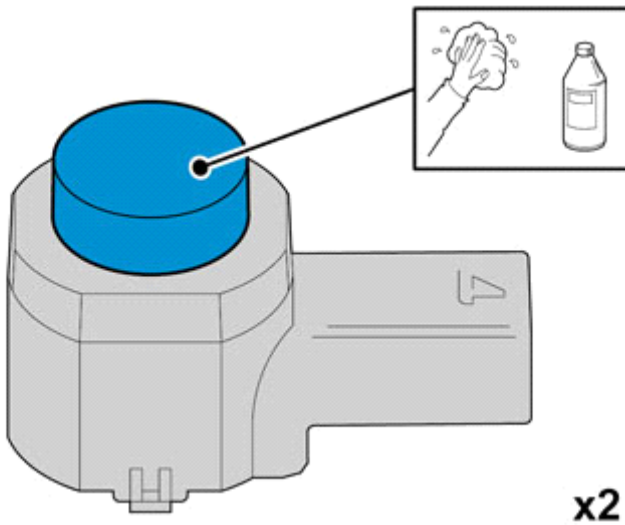


IMG-344141

Matt the surface gently.

Use: , Sand paper P1000

7

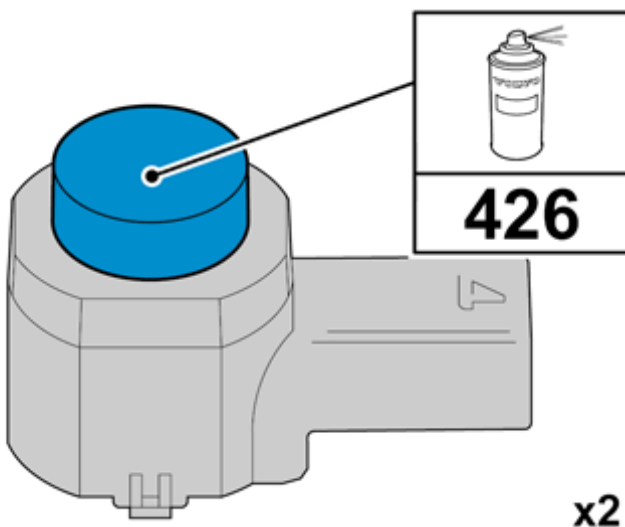


IMG-344142

Clean the surface.

Use: 1161721, Isopropanol

8



IMG-377210

Caution!

Protect connector surfaces against paint spray.

Use: , Volvo Original Touch-up paint

Use paint colours according to the colour code given in the image.

Use base coat only.

Use: 31335447, Varnish 2-component

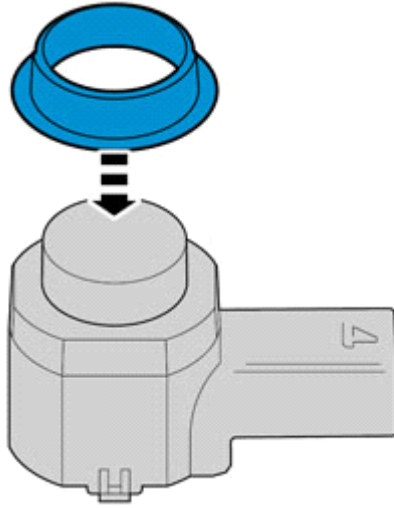
Also see the instructions on the container.



Installation instructions, accessories

Volvo Car Corporation Gothenburg, Sweden

9



x2

IMG-333934

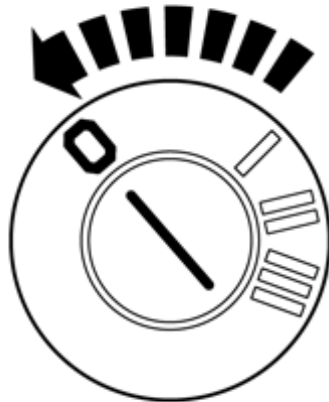
Caution!

First the paint must dry after painting.

Removal

10

Set the ignition key to position 0.



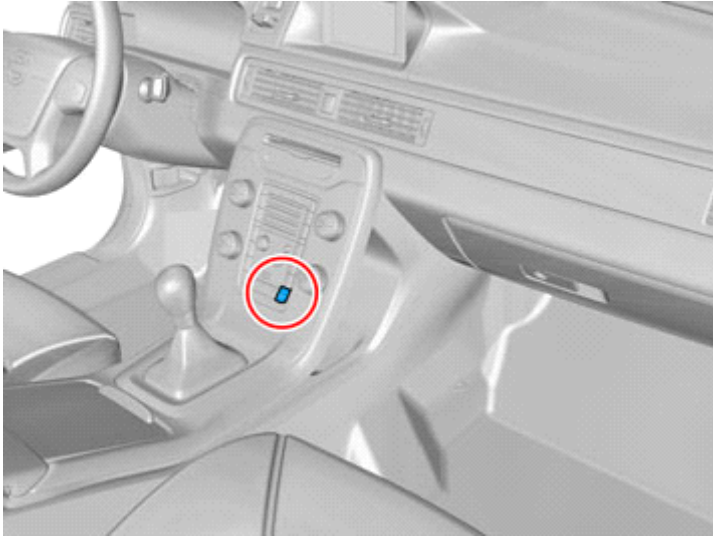
IMG-332193



Installation instructions, accessories

Volvo Car Corporation Gothenburg, Sweden

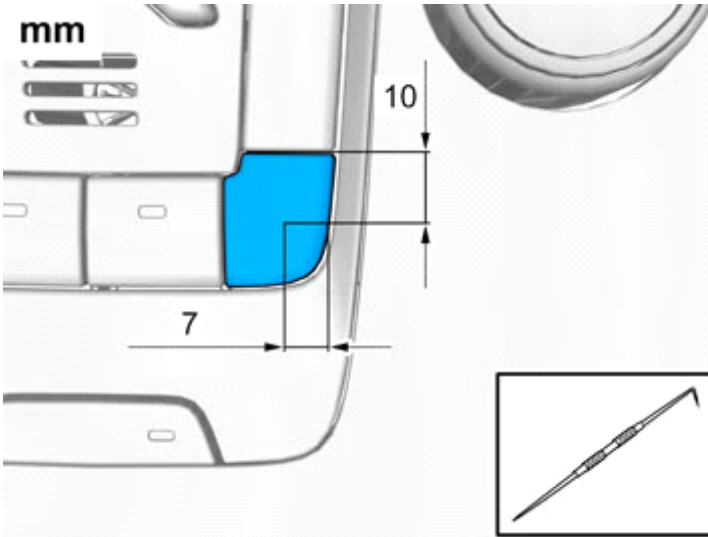
11



IMG-377098

Note!
Orientation view

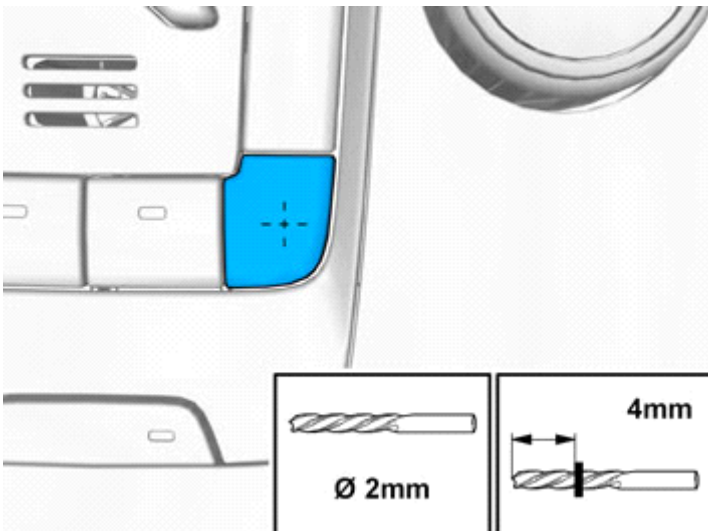
12



IMG-372212

Measure and mark as illustrated.

13



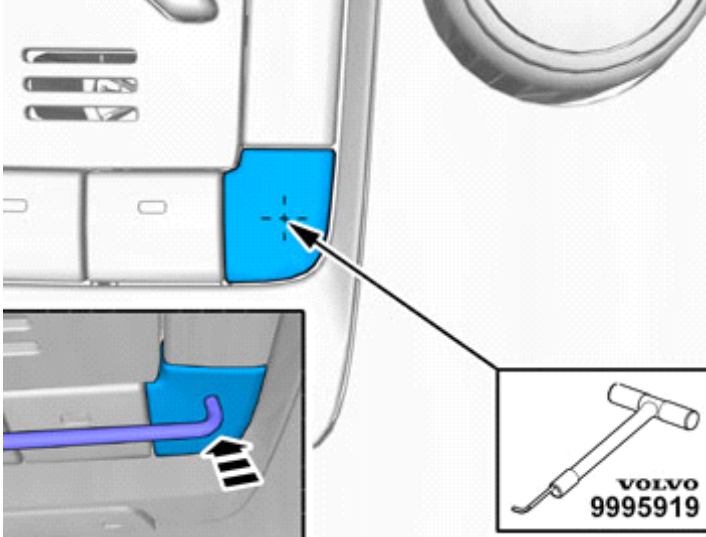
IMG-372210



Installation instructions, accessories

Volvo Car Corporation Gothenburg, Sweden

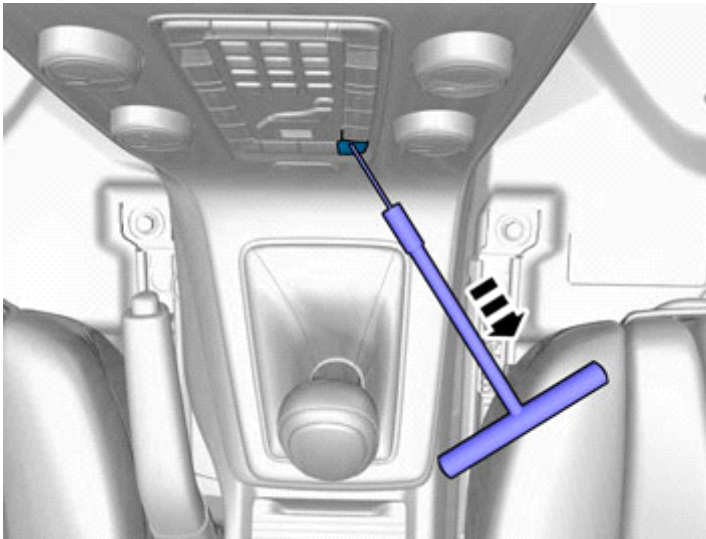
14



IMG-372209

Use special tool: T9995919, PULLER (SEAL-PINION,CAM-CRANKSHAFT)B200-6304

15



IMG-372207

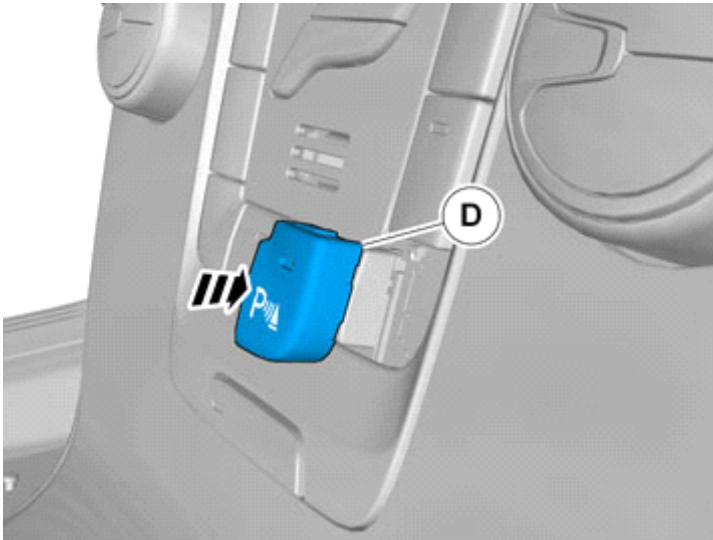
Accessory installation



Installation instructions, accessories

Volvo Car Corporation Gothenburg, Sweden

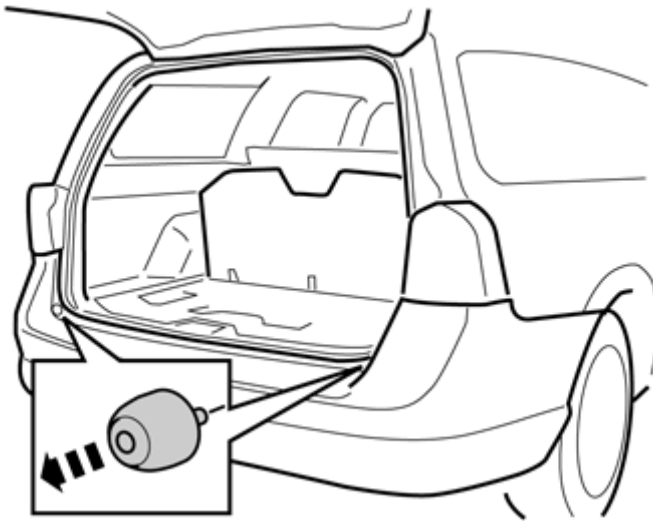
16



IMG-372208

Removal

17



IMG-259683

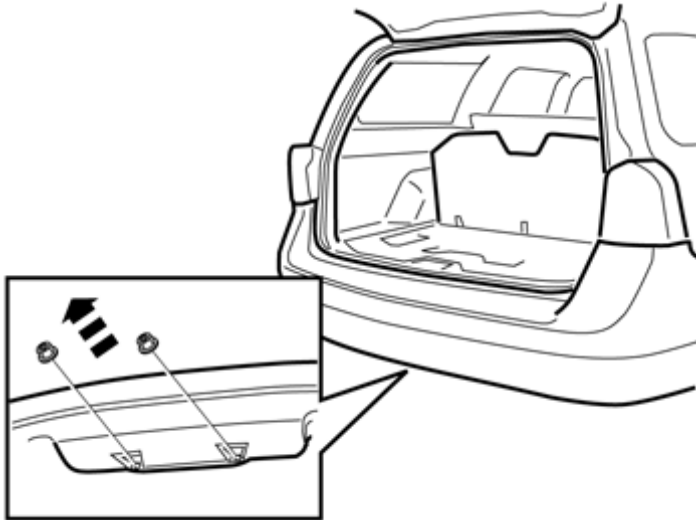
Remove the screws.



Installation instructions, accessories

Volvo Car Corporation Gothenburg, Sweden

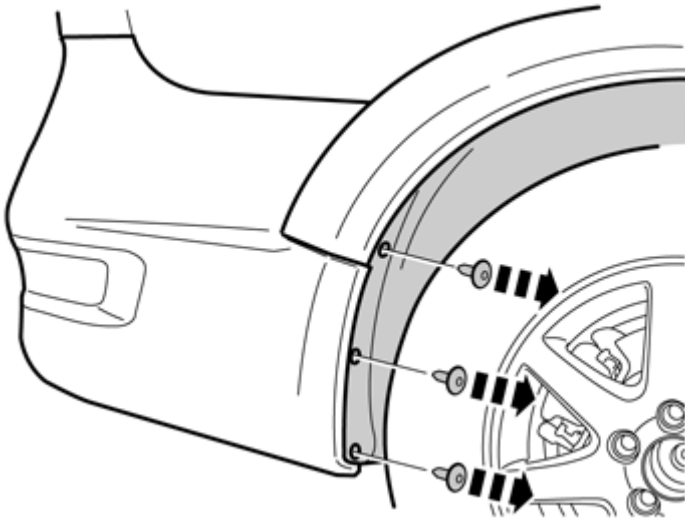
18



IMG-259684

Remove the nuts.

19

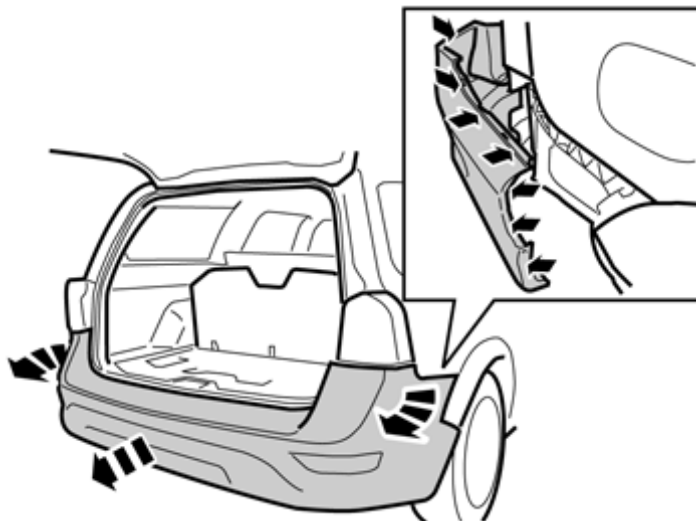


IMG-259754

Remove the screws.

Repeat on the other side.

20



IMG-259756

Caution!

Place the Bumper Cover on a suitable surface.



Installation instructions, accessories

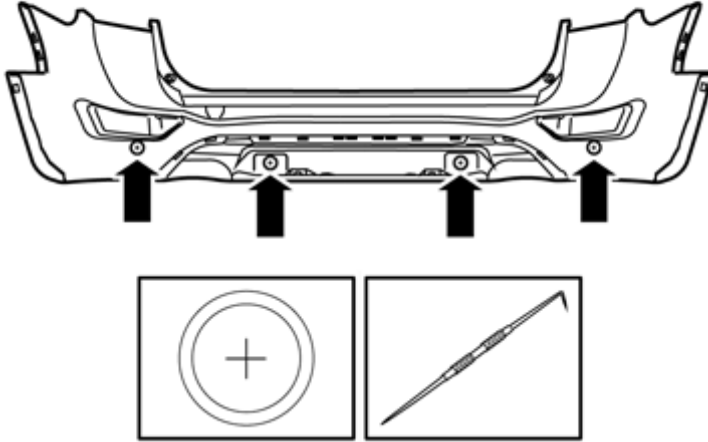
Volvo Car Corporation Gothenburg, Sweden

Accessory installation

21

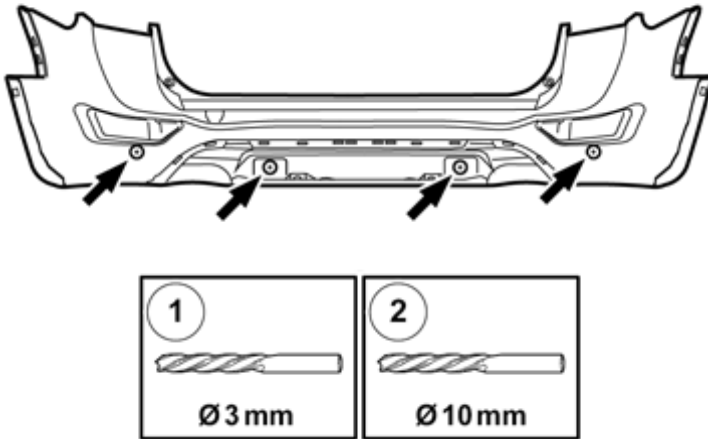
Locate the markings for the positions.

Mark the centre.



IMG-283030

22



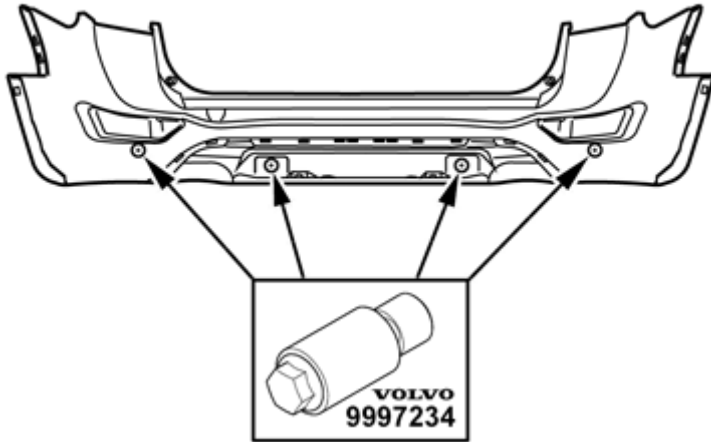
IMG-283031



Installation instructions, accessories

Volvo Car Corporation Gothenburg, Sweden

23



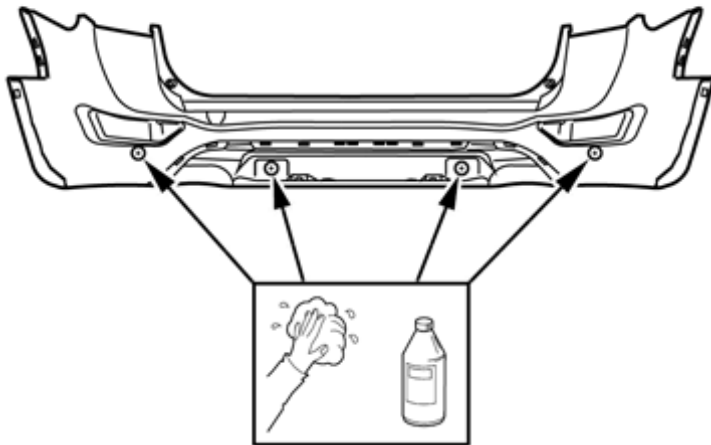
IMG-273313

Caution!

Sharp end of tool must be on outside of cover.

Use special tool: T9997234, Hole stamp

24

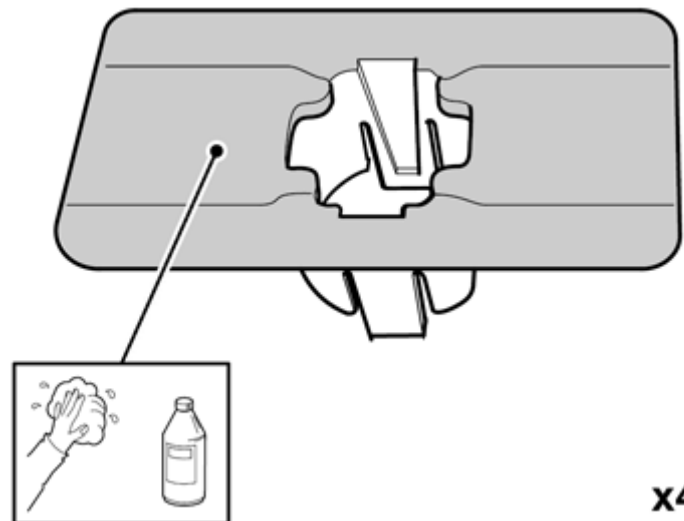


IMG-283032

Clean the surfaces.

Use: 1161721, Isopropanol

25



IMG-377226

Clean the surface.

Use: 1161721, Isopropanol

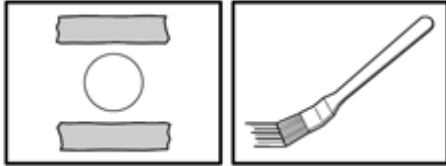
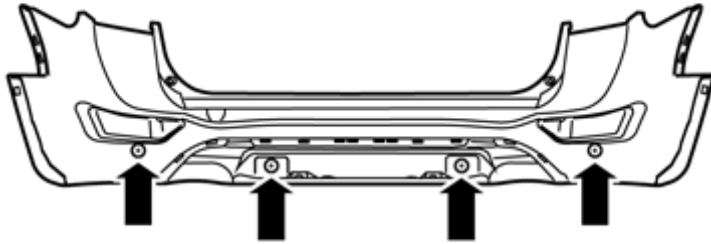
x4



Installation instructions, accessories

Volvo Car Corporation Gothenburg, Sweden

26



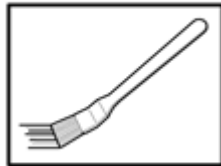
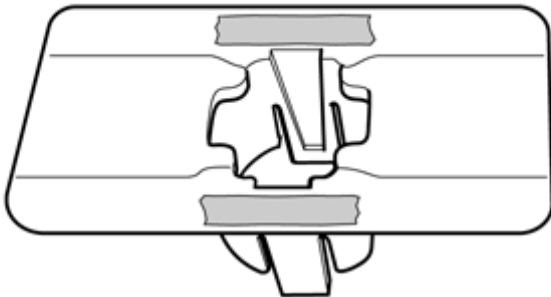
IMG-283033

Apply a thin and even layer.

Use: 8637076, Activator

Allow to dry for at least 10 minutes.

27



IMG-283028

Apply a thin and even layer.

Use: 8637076, Activator

Allow to dry for at least 10 minutes.

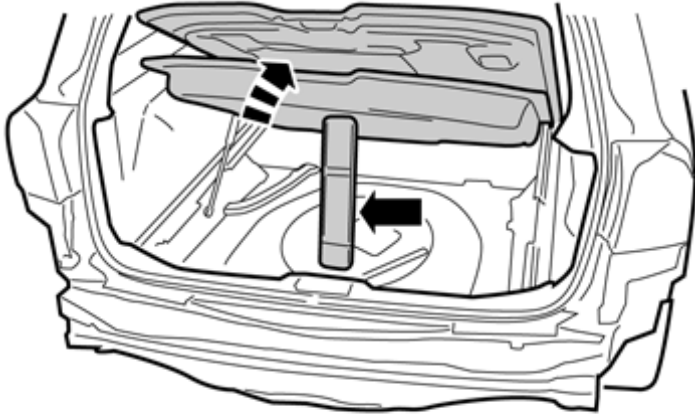
Removal



Installation instructions, accessories

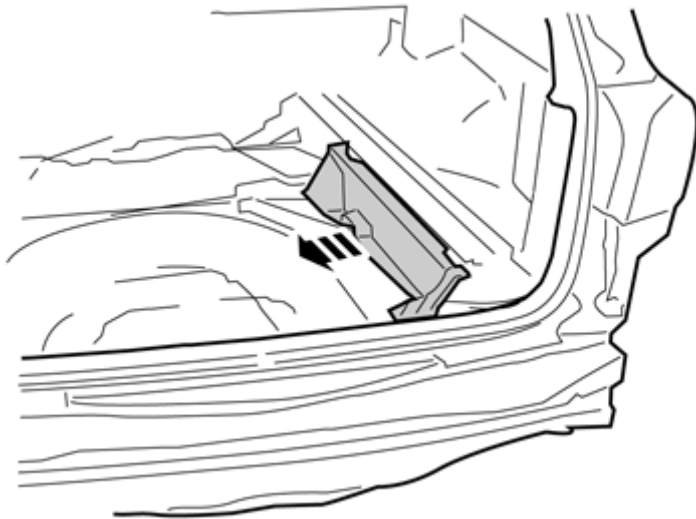
Volvo Car Corporation Gothenburg, Sweden

28



IMG-261414

29



IMG-273316

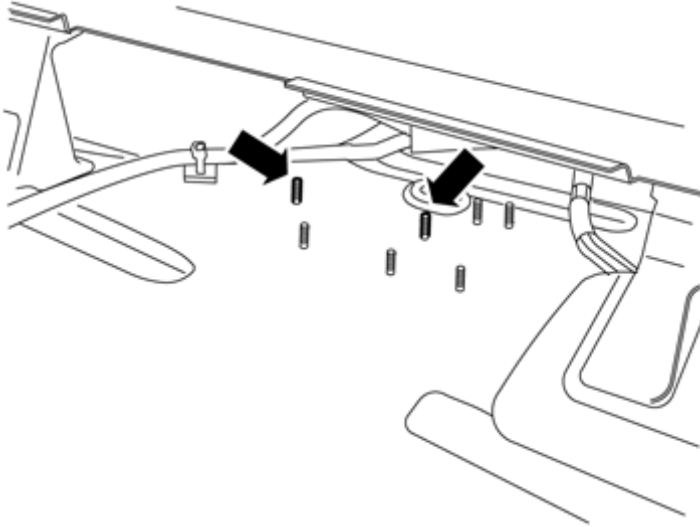
Accessory installation



Installation instructions, accessories

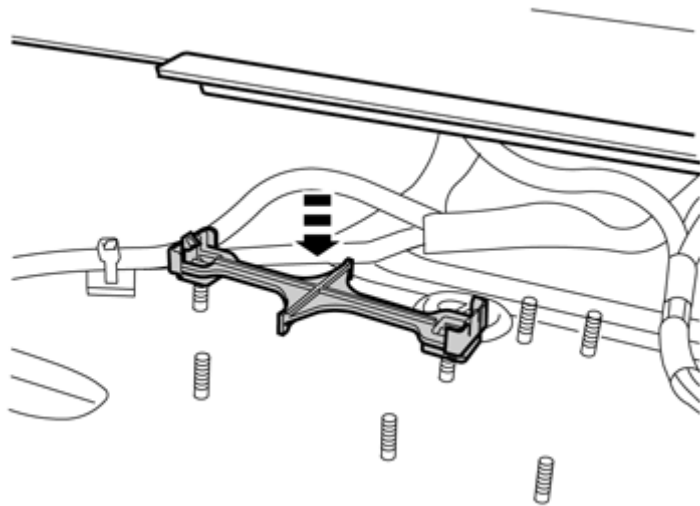
Volvo Car Corporation Gothenburg, Sweden

30



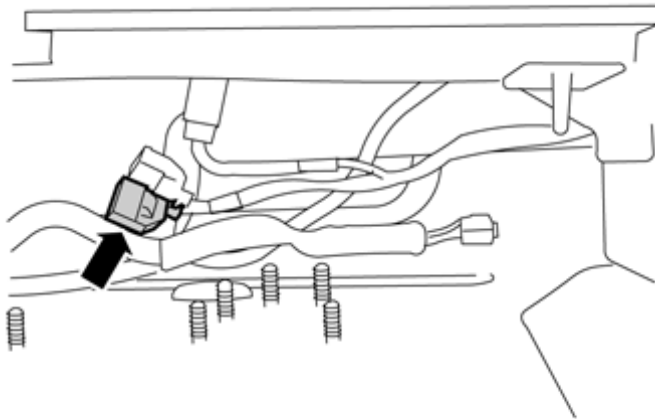
IMG-273317

31



IMG-273318

32



Locate the pre-routed connector.

IMG-273319

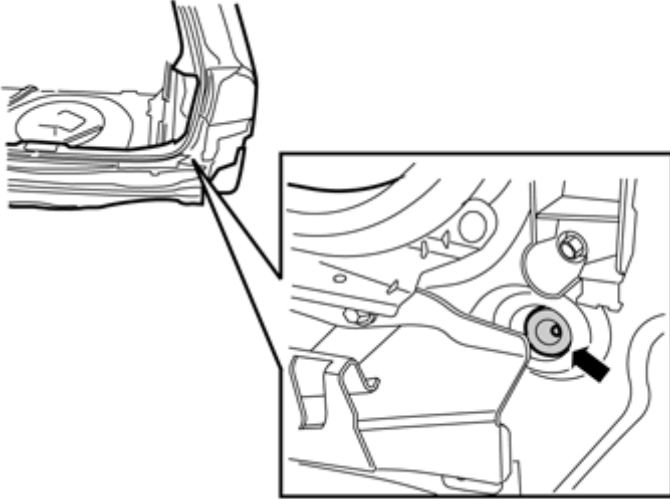


Installation instructions, accessories

Volvo Car Corporation Gothenburg, Sweden

33

The part is not to be reused.

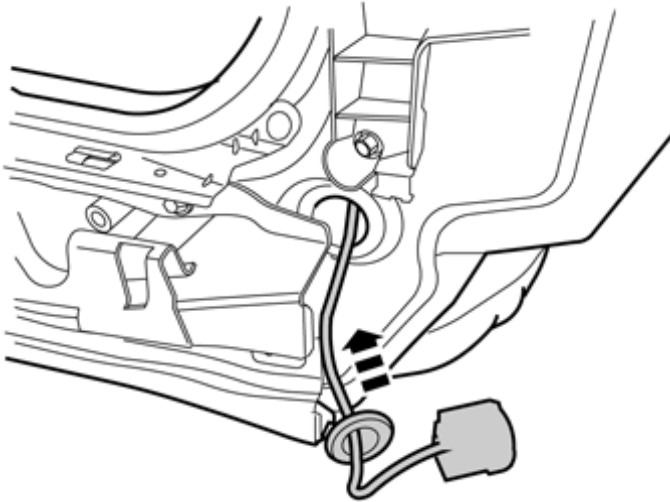


IMG-273320

34

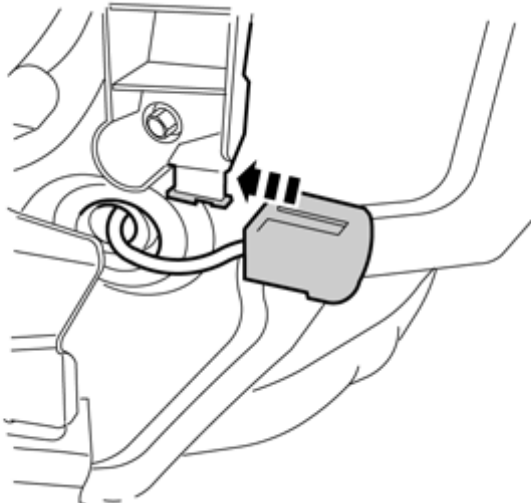
Caution!
Make sure that the rubber grommet seals properly to the body.

Install component that comes with the accessory kit.



IMG-273321

35



IMG-273322

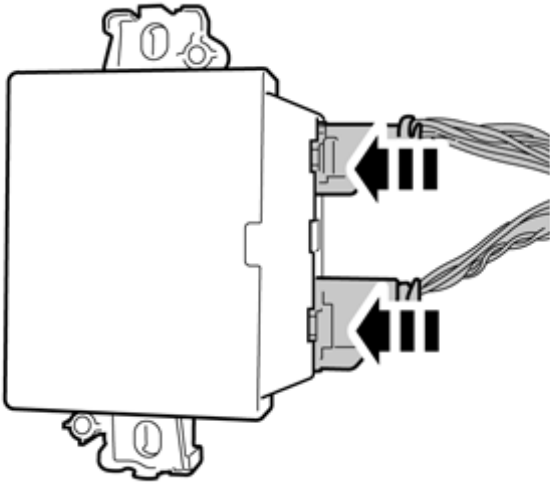


Installation instructions, accessories

Volvo Car Corporation Gothenburg, Sweden

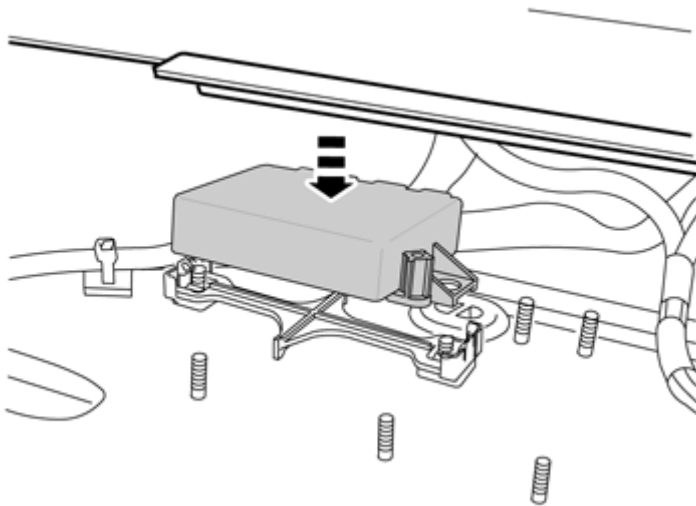
36

Connect the connectors.



IMG-273323

37



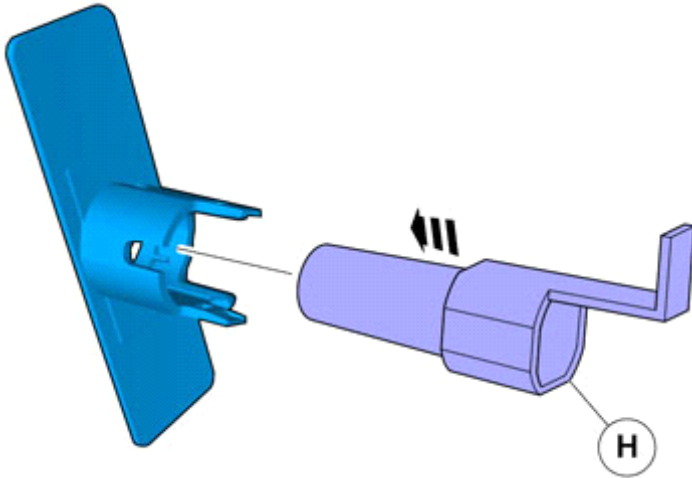
IMG-273324



Installation instructions, accessories

Volvo Car Corporation Gothenburg, Sweden

38

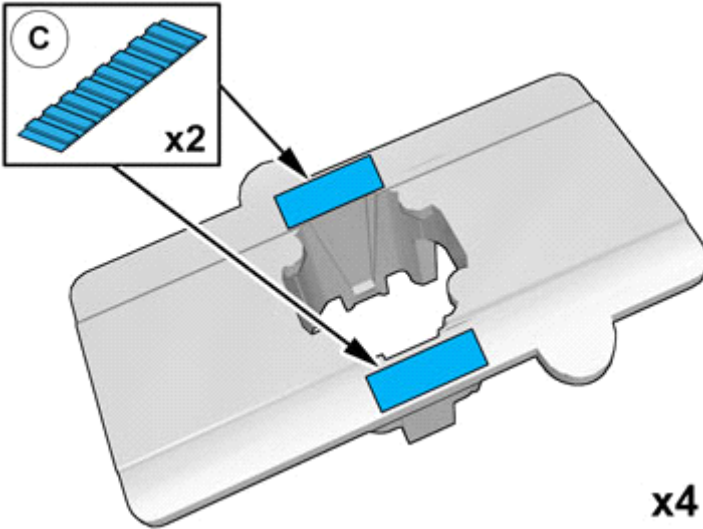


IMG-377228

Note!

Prepare and install one holder at a time.

39



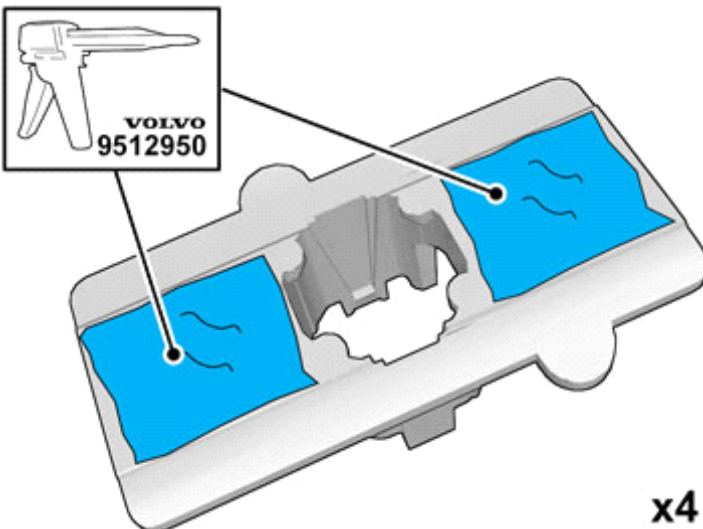
IMG-377239

Note!

Ensure that the tape is fixed to the surface.

Remove the protective film.

40



IMG-377241

Warning!

Make sure to provide adequate ventilation.

Warning!

Wear protective gloves.

Apply a thin and even layer.

Use: 9511027, Glue

Use special tool: T9512950, Glue gun (kit)

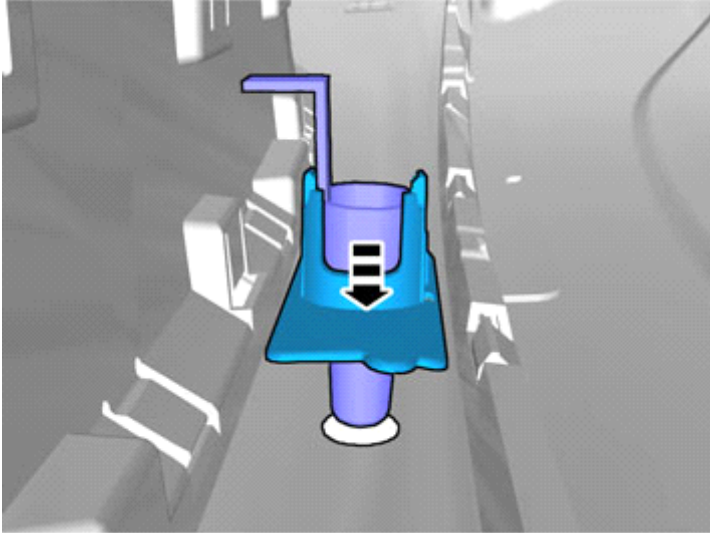
Use: 1161730, Mixing pipe



Installation instructions, accessories

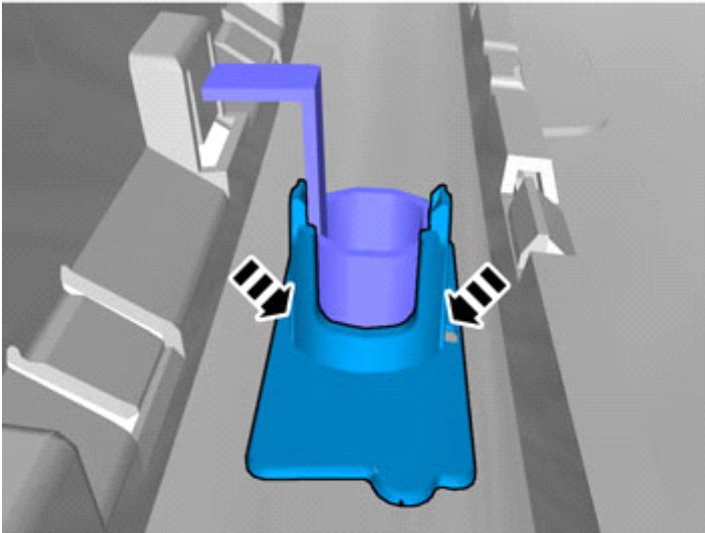
Volvo Car Corporation Gothenburg, Sweden

41



IMG-297571

42

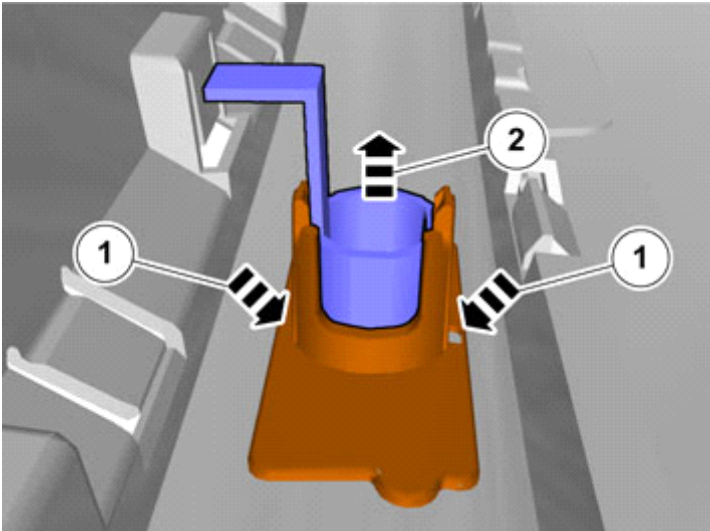


IMG-297572

Note!

Apply pressure only where the tape is located.

43



IMG-297573

Note!

Hold the part securely at the marker arrows when removing the tool.

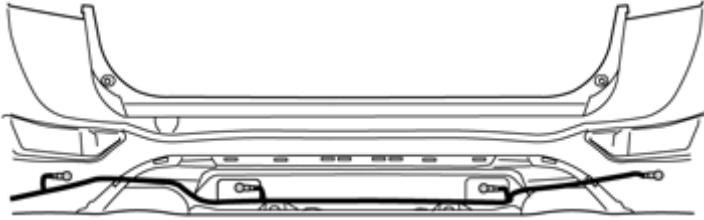


Installation instructions, accessories

Volvo Car Corporation Gothenburg, Sweden

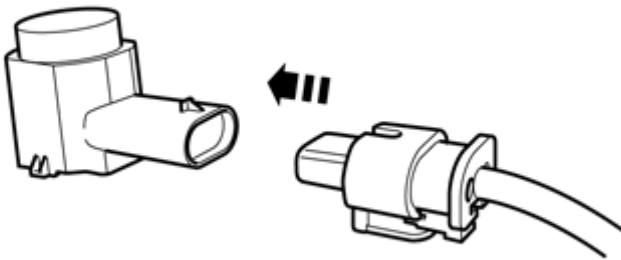
44

Put the wiring in the Bumper cover without installing the wiring.



IMG-377247

45



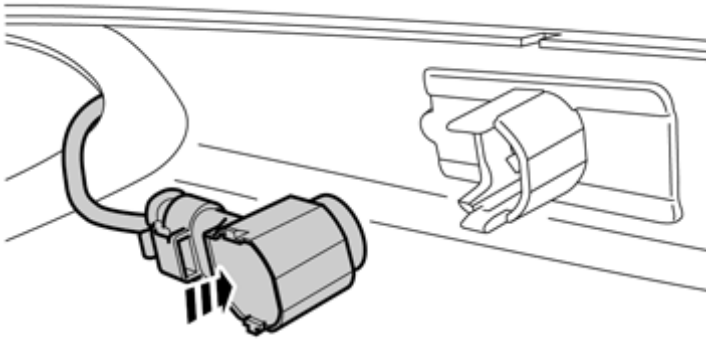
IMG-247287



Installation instructions, accessories

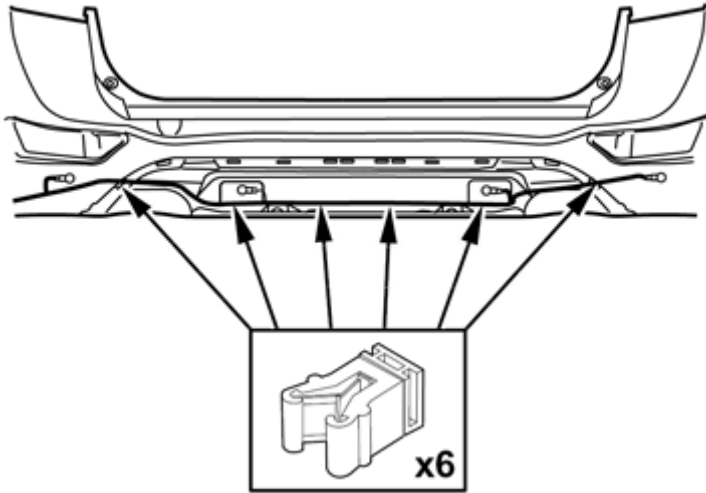
Volvo Car Corporation Gothenburg, Sweden

46



IMG-377248

47



IMG-273328

Caution!

Hold the newly bonded sensor holder in position whilst pressing the clip into position.

Install the cable.

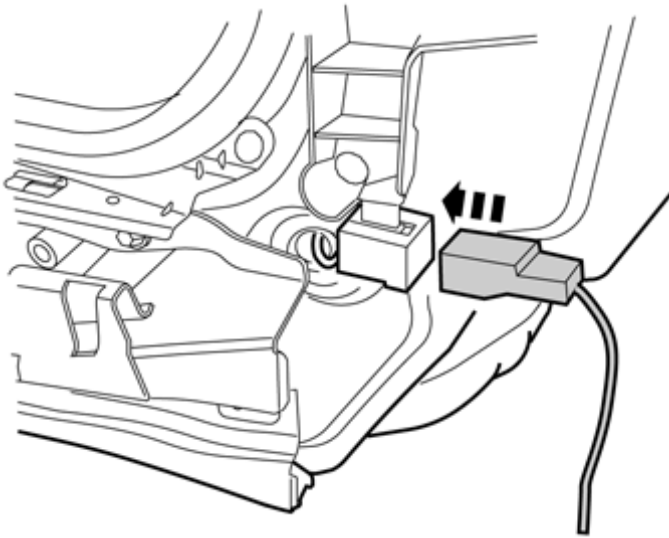
Installation



Installation instructions, accessories

Volvo Car Corporation Gothenburg, Sweden

48



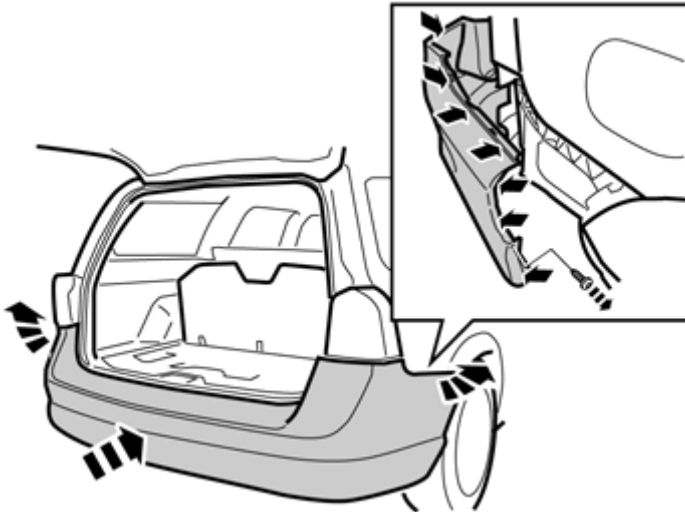
IMG-273330

Request the aid of a colleague for this procedure.

Place the Bumper Cover in position for installation.

Connect the connector.

49



IMG-273331

50

Reinstall the removed parts in reverse order.

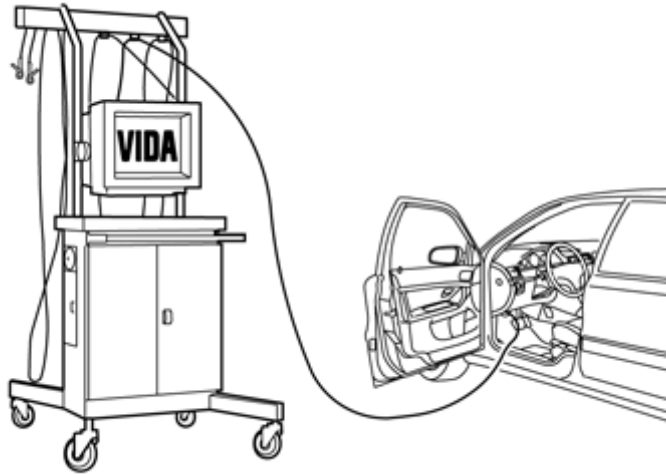
IMG-377070



Installation instructions, accessories

Volvo Car Corporation Gothenburg, Sweden

51



IMG-242268

Download software (application) for the accessory's function according to the service information in VIDA.

Order and download software according to: 30765571